



Home Sewing Machine

PARTS REFERENCE LIST

MODEL: SQ9100
Style100Q

CONFIDENTIAL

©2017 Brother Industries, Ltd.
All rights reserved.

Published: Mar.,2017
Revised: -

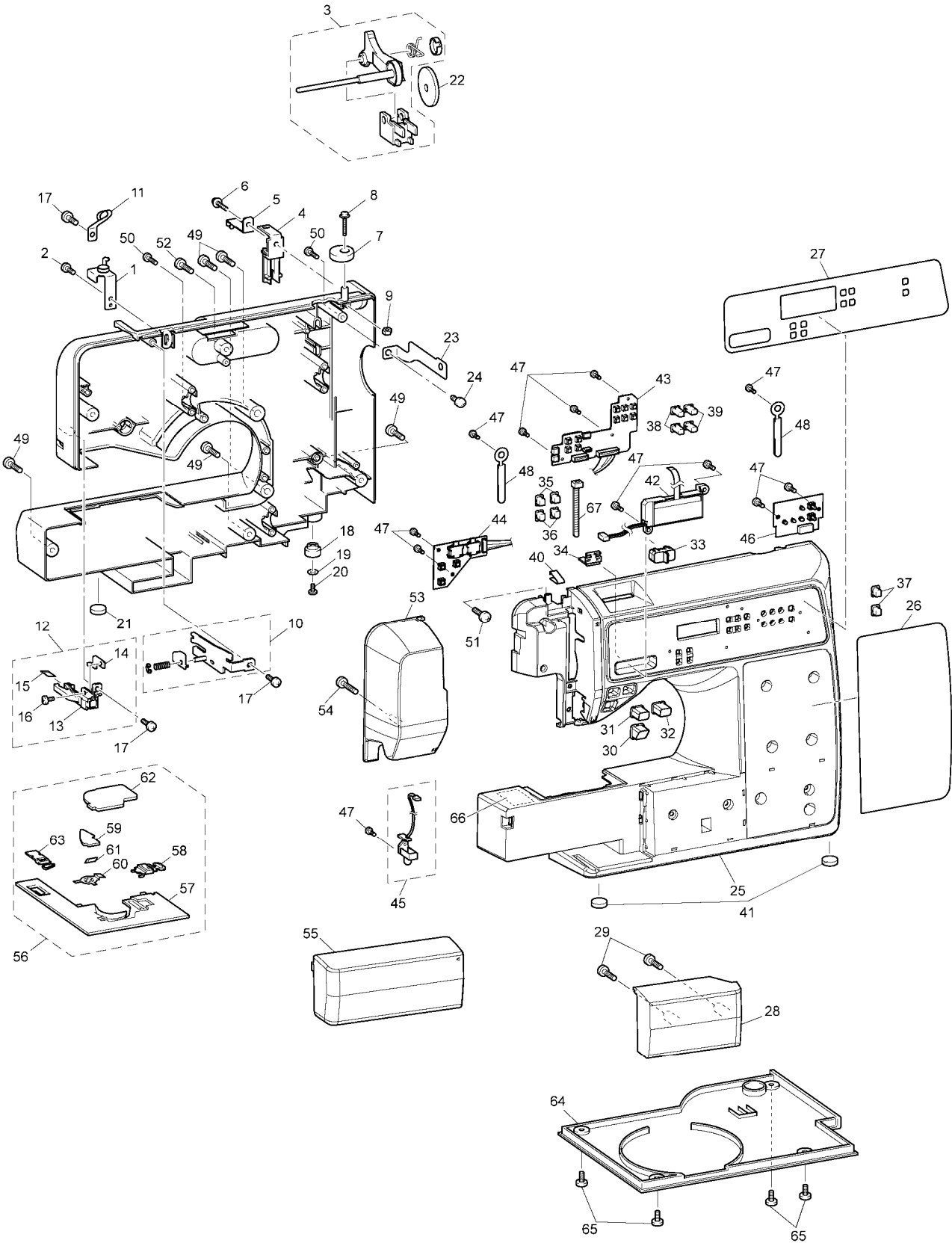
CONTENTS

(1) MAIN FRAME / COVER	2
(2) UPPER SHAFT MECHANISM / NEEDLE BAR / PRESSER FOOT UNIT	4
(3) FEED UNIT	6
(4) BOBBIN WINDING MECHANISM / NEEDLE THREADING MECHANISM	8
(5) ELECTRIC PARTS / MAIN MOTOR UNIT	10
(6) ACCESSORY PARTS / USER MANUAL / OTHER PARTS / PACKAGE	12
SPARE PARTS.....	14

Note on parts:

We keep performance parts for this sewing machine for at least 8 years after this model is discontinued. Performance parts are the necessary parts to maintain the function of the sewing machine.

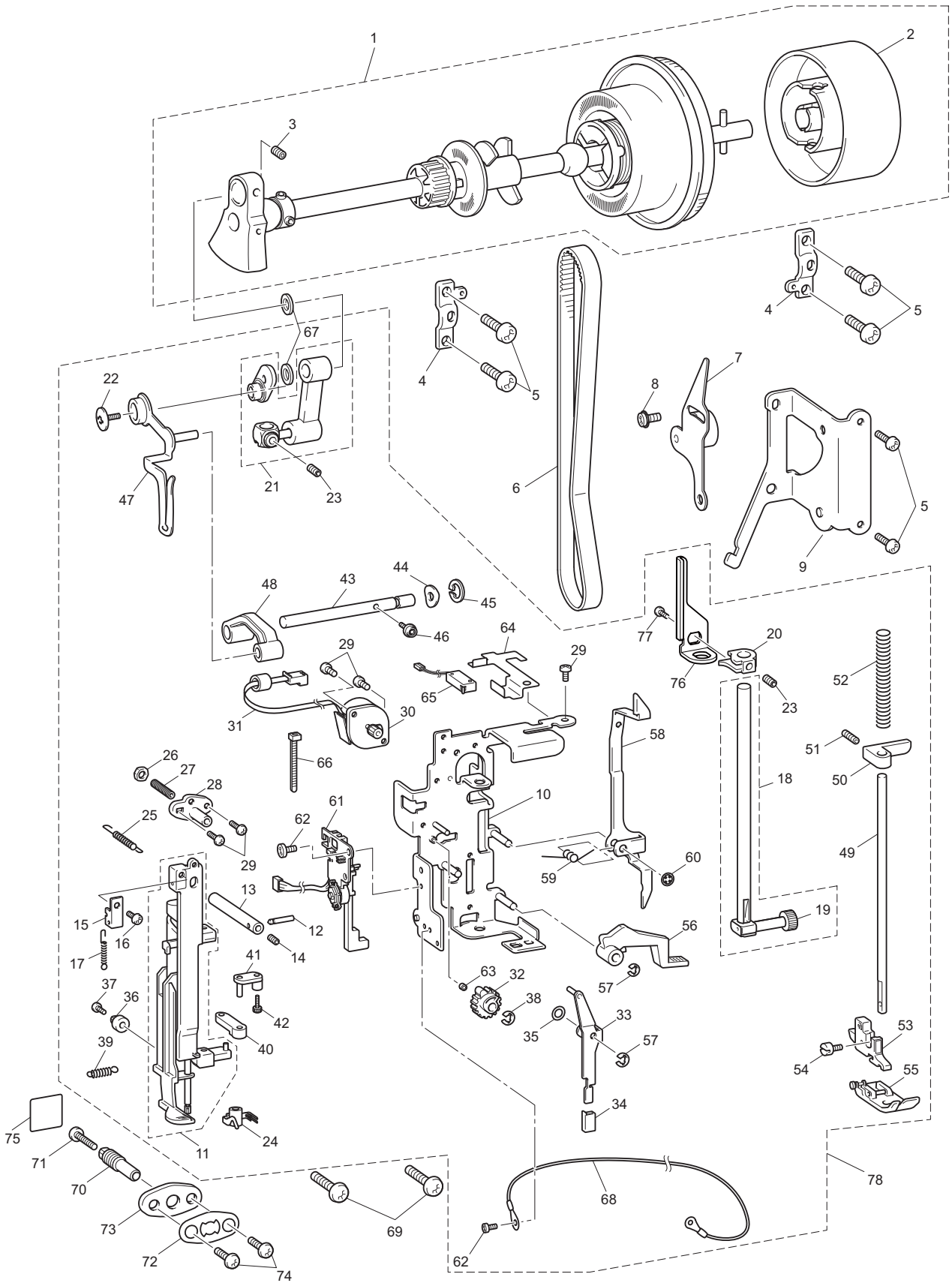
(1) MAIN FRAME / COVER



(1) MAIN FRAME / COVER

No.	CODE	NAME	REMARKS	No.	CODE	NAME	REMARKS
1	XE6631001	BOBBIN WINDER GUIDE ASSY		43	XE8573001	OPERATION PCB SUPPLY ASSY V67	
2	0A5300806	SCREW PAN (S/P WASHER) M3X8		44	XF6876001	SSVR PCB SUPPLY ASSY CP5	
3	XG2975001	SPOOL PIN ASSY		45	XE9784001	LED LAMP SUPPLY ASSY CP4S	
4	XE6427001	SPOOL PIN HOLDER		46	XF7009001	MODESELECT PCB SUPPLY CP5 A	
5	XE6633001	SPOOL PIN STOP PLATE		47	085311016	TAPTITE BIND B M3X10	
6	087411416	TAPTITE CUP B M4X14		48	137947001	CLIP	
7	XF7875001	BOBBIN PRESSER		49	XZ5049001	GIZA TITE (S/P W) 5X18	
8	0A4302006	SCREW PAN (S/P WASHER) M3X20		50	XE2261001	GIZA TITE (S/P W) 4X25	
9	021300106	NUT 1 M3		51	XC3588021	GIZA TITE 4X12	
10	XE6429001	THREAD GUIDE PLATE ASSY		52	XC7566051	SCREW, PAN(S/P WASHER) M4X8	
11	XE6634001	THREAD GUIDE SUPPORTING PLATE		53	XG4632001	FACE PLATE	
12	XE7286001	CUTTER COVER ASSY		54	XA3337022	TAPTITE,CUP P M4X20	
13	XE6640001	CUTTER COVER		55	XG4633001	ACCESSORY TABLE	
14	XE6641001	CUTTER HOLDER PLATE		56	XG9981001	NEEDLE PLATE B ASSY	1000058401
15	X80321021	NT LOWER THREAD CUTTER		57	XE6457001	NEEDLE PLATE B	
16	060300416	SCREW BIND M3X4		58	XC7371022	SLIDE BUTTON	
17	085411016	TAPTITE BIND B M4X10		59	XD1666052	CUTTER COVER	
18	138337022	RUBBER CUSHION A		60	XC2368121	SPRING PLATE	
19	026350236	WASHER PLAIN M 3.5		61	X80321021	NT LOWER THREAD CUTTER	
20	083361216	TAPTITE PAN B M3.5X12		62	XH1054001	NEEDLE PLATE COVER SUPPLY ASSY	1000058401
21	XC4077021	BASE PLATE RUBBER		63	XE7163001	SLIDE BUTTON B	
22	XE1372001	SPOOL PRESSER C		64	XG1981001	BASE COVER	
23	XE8361001	BELT STOPPER PLATE		65	085411016	TAPTITE BIND B M4X10	
24	085411416	TAPTITE BIND B M4X14		66	XG0195001	LOWER THREAD GUIDE LABEL	
25	XG7446001	FRONT COVER		67	X53169020	BAND	
26	XG7803001	DECORATION PLATE A (SQ9100)					
	XG9602001	DECORATION PLATE A (Style100Q)					
27	XG7805001	DECORATION PLATE B (SQ9100)					
	XG9603001	DECORATION PLATE B (Style100Q)					
28	XG4630001	DECORATION COVER S					
29	085411416	TAPTITE BIND B M4X14					
30	XF6085001	SS BUTTON					
31	XF6086001	REVERSE BUTTON					
32	XF6087001	NP BUTTON					
33	XG4631001	SV KEY TOP					
34	XE6500001	SV JOINT PLATE					
35	XE6449001	SELECTING BUTTON A					
36	XE6450001	SELECTING BUTTON B					
37	XE8563001	SELECTING BUTTON C					
38	XE6451001	MANUAL BUTTON A					
39	XE6452001	MANUAL BUTTON B					
40	XE0849001	FRONT COVER THREAD GUARD					
41	XC4077021	BASE PLATE RUBBER					
42	XG1927001	SINGLE LIGHT GUIDE ASSY:M1YM					

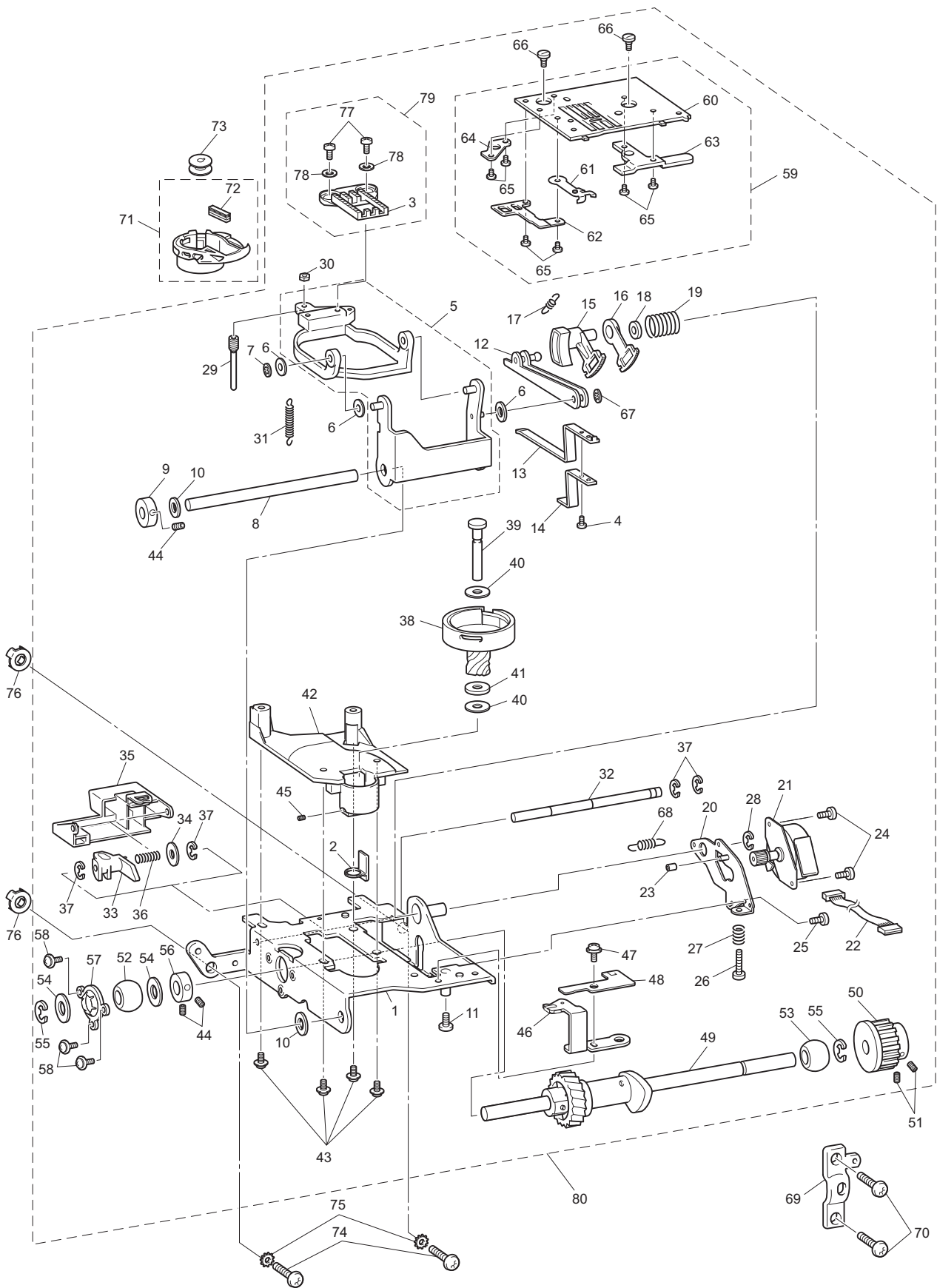
(2) UPPER SHAFT MECHANISM / NEEDLE BAR / PRESSER FOOT UNIT



(2) UPPER SHAFT MECHANISM / NEEDLE BAR / PRESSER FOOT UNIT

No.	CODE	NAME	REMARKS	No.	CODE	NAME	REMARKS
UPPER SHAFT MECHANISM				43	XC8765121	SHAFT	
1	XE7621001	UPPER SHAFT SUPPLY ASSY CP4		44	XZ5030001	WASHER, SPRING	
2	XC3529023	PULLEY		45	048050346	RETAINING RING E5	
3	012500532	SET SCREW SOCKET (FT) M5X5		46	XC3338021	SCREW 3X8	
4	XC3534121	UPPER SHAFT BEARING PRESSER		47	XC8564031	THREAD TAKE-UP LEVER	
5	XC3496021	GIZA TITE 5X16		48	XC4897020	THREAD TAKE-UP LEVER LINK	
6	XG3557001	T BELT 420-5GT-6	1000058414	49	XC4898021	PRESSER BAR	
7	XG4071101	TENSION PULLEY ASSY		50	XC4899121	PRESSER BAR CLAMP	
8	0A4400806	SCREW PAN (S/P WASHER) M4X8		51	XC7207021	SCREW STUD M5	
9	XC8739120	TENSION PULLEY HOLDER		52	XC4900021	SPRING	
NEEDLE BAR / PRESSER FOOT UNIT				53	XE2555101	PRESSER FOOT HOLDER ASSY	
10	XC8741121	BASE HOLDER ASSY		54	XG1343001	SCREW SM3.57-40X8	
11	XE8695101	NEEDLE BAR SUPPORTER ASSY		55	XZ5134001	Z FOOT	
12	XC2420020	SHAFT		56	XC4902021	PRESSER FOOT LIFTER	
13	XC8754021	NEEDLE HOLDER SHAFT A		57	048040346	RETAINING RING E4	
14	014300532	SET SCREW SOCKET (CP) M3X5		58	XC8766020	THREAD RELEASE LEVER	
15	XC8755020	PLATE		59	XC4904121	SPRING	
16	060300516	SCREW BIND M3X5		60	146200021	RETAINING RING, CS4	
17	X50476021	SPRING		61	XF9982001	BH SWITCH ASSY	
18	XG7581001	NEEDLE BAR ASSY N		62	0A4400806	SCREW PAN (S/P WASHER) M4X8	
19	XE3827001	NEEDLE CLAMP SCREW		63	XC8773020	RUBBER	
20	XF4780101	NEEDLE THREAD BLOCK		64	XC8774021	PRESSER SWITCH HOLDER	
21	XF5017001	NEEDLE BAR CRANK ROD ASSY		65	XC8775021	PF SWITCH ASSY, LE	
22	132051022	SCREW, FLAT SM3.57-40X7 L		66	X53169020	BAND	
23	012400432	SET SCREW SOCKET (FT) M4X4		67	X53330020	WASHER	
24	XA1854051	THREADER HOOK ASSEMBLY		68	XE3856001	LEAD WIRE ASSY: GROUND	
25	XC2429021	SPRING		69	XC4961021	GIZA TITE 5X20	
26	X56851021	LOCK NUT		70	XC4905121	ADJUSTING SCREW	
27	014401232	SET SCREW SOCKET (CP) M4X12		71	060302506	SCREW BIND M3X25	
28	XC8756021	SHAFT BUSHING		72	XC6056120	PLATE SPRING	
29	060300616	SCREW BIND M3X6		73	XC4906020	ADJUSTING PLATE	
30	XC8757021	Z PULSE MOTOR: M35SP-9N		74	085411016	TAPTITE BIND B M4X10	
31	XC8759021	LEAD WIRE ASSY, ZPM-LE		75	XC4907021	LABEL	
32	XC8760020	Z ZIGZAG CAM		76	XF4779101	NEEDLE THREAD GUIDE PLATE	
33	XC8761121	Z ZIGZAG LEVER ASSY		77	XZ5106201	SCREW. M2.6	
34	XC8764020	Z LEVER CAP					
35	137713020	POLYESTER SLIDER		78	XG3670001	NEEDLE UNIT SUPPLY ASSY CP4	
36	XC2435020	ZIGZAG ADJUSTING NUT					
37	018301032	BOLT SOCKET M3X10					
38	048030343	RETAINING RING E3					
39	XC2748021	SPRING-Z					
40	XC2436021	NEEDLE HOLDER BLOCK					
41	XC2437021	SHAFT ASSY					
42	XC3037021	SCREW3X10					

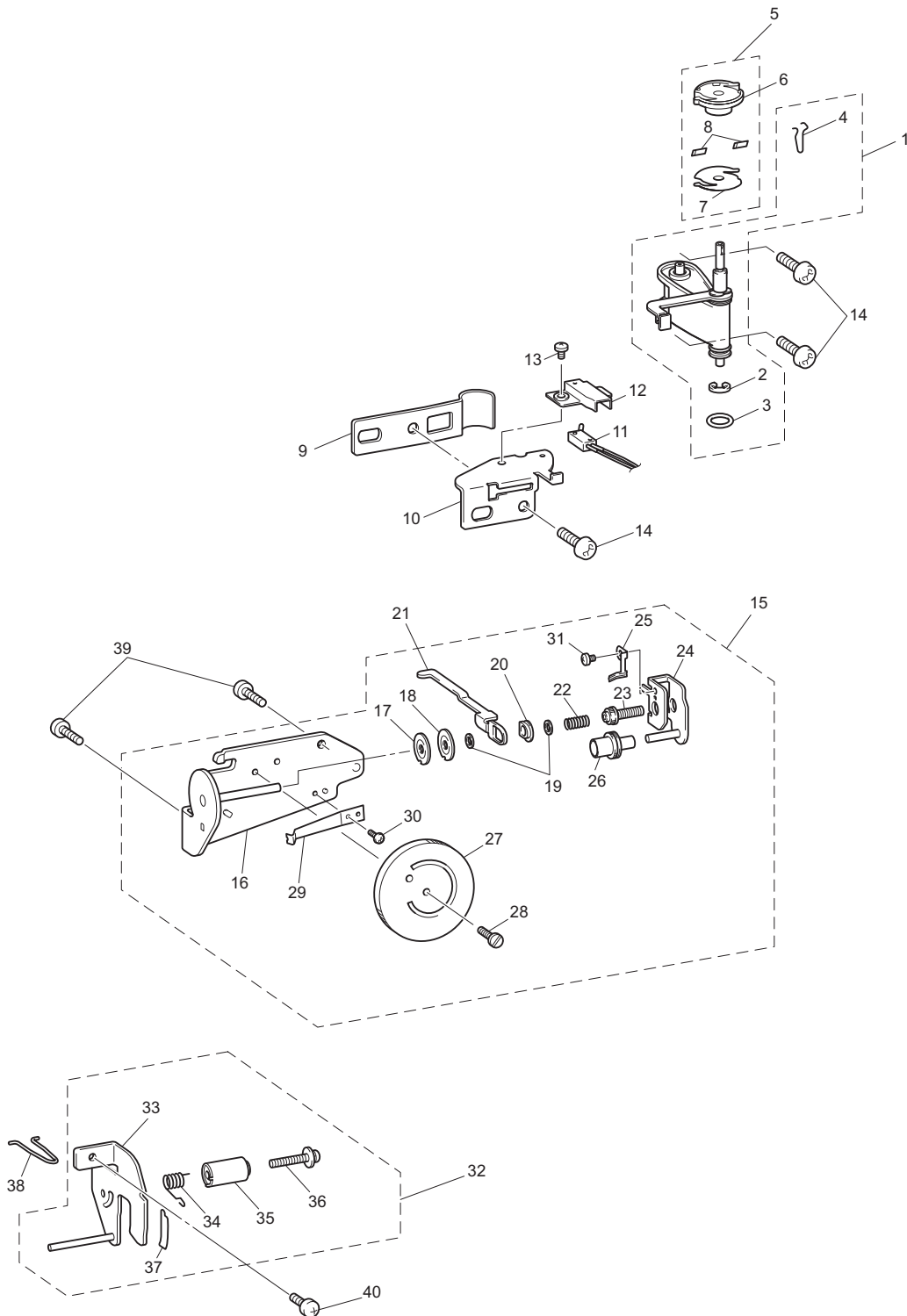
(3) FEED UNIT



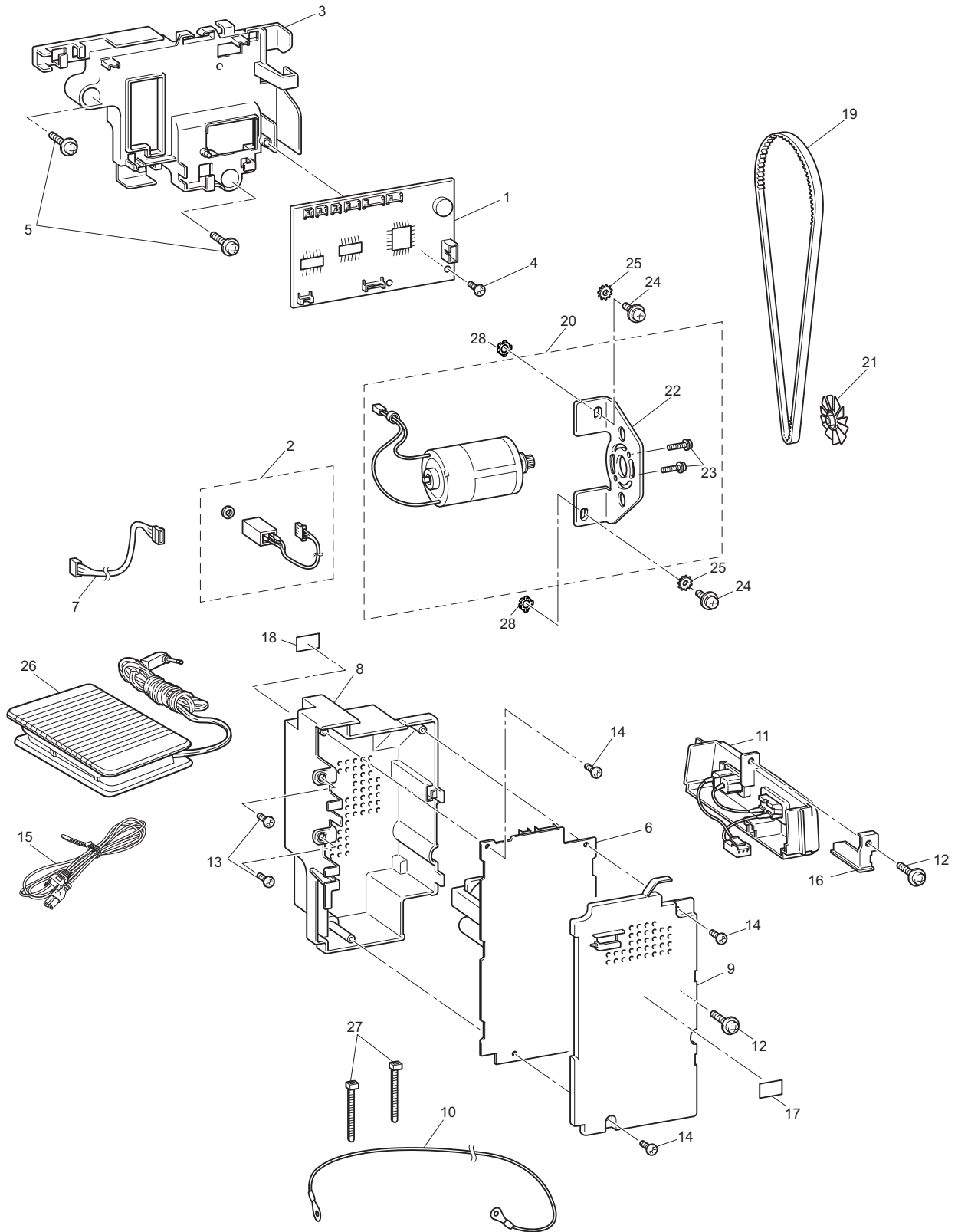
(3) FEED UNIT

No.	CODE	NAME	REMARKS	No.	CODE	NAME	REMARKS
1	XE6467201	BASE PLATE ASSY		43	0A4400806	SCREW PAN (S/P WASHER) M4X8	
2	XE5656001	FEED ARM SUPPORTER		44	014400432	SET SCREW SOCKET (CP) M4X4	
3	XE7489201	FEED DOG		45	014400632	SET SCREW SOCKET (CP) M4X6	
4	060300616	SCREW BIND M3X6		46	XE7558001	INNER ROTARY HOOK BRACKET ASSY	
5	XE2015201	FEED BAR ASSY		47	0A5300806	SCREW PAN (S/P WASHER) M3X8	
6	137999020	POLYESTER SLIDER		48	XE7323101	IRH BRACKET SUPPORT PLATE	
7	146200021	RETAINING RING, CS4		49	XC8796021	LOWER SHAFT ASSY	
8	XC8789121	HORIZONTAL FEED SHAFT		50	XC4943021	TIMING PULLEY D	
9	130676121	SET SCREW COLLAR		51	014500532	SET SCREW SOCKET (CP) M5X5	
10	X50546020	WASHER,THRUST		52	X52664020	LOWER SHAFT BUSHING	
11	060301206	SCREW BIND M3X12		53	XC3792020	UPPER SHAFT BUSHING	
12	XC4924121	FEED ARM ASSY (SQ9100)		54	X51383020	WASHER,THRUST	
	XG8343001	FEED ARM B ASSY (Style100Q)		55	048060346	RETAINING RING E6	
13	XC4927021	FEED SUPPORTING PLATE		56	XC8798021	SET COLLAR	
14	XC4928120	FEED SUPPORTING PLATE B		57	XC4944021	BUSHING PRESSER B	
15	XC2527121	FEED ADJUSTER		58	085310616	TAPTITE BIND B M3X6	
16	XC2529020	F GEAR		59	XE6468101	NEEDLE PLATE A ASSY	
17	XC2530021	SPRING		60	XE6469001	NEEDLE PLATE A	
18	137713020	POLYESTER SLIDER		61	XF2440001	STOPPER PLATE	
19	XC2531021	SPRING		62	XE7164001	NEEDLE PLATE B SUPPORT PLATE	
20	XC8791121	FPM HOLDER SUB ASSY		63	XE6471001	F GEAR STOPPER PLATE	
21	XC8757021	Z PULSE MOTOR:M35SP-9N		64	XE6472001	NEEDLE PLATE HOLDER	
22	XC8793021	LEAD WIRE ASSY,FPM-LE		65	060260316	SCREW BIND M2.6X3	
23	XC8773020	RUBBER		66	XE6473001	SCREW NEEDLE PLATE	
24	060300416	SCREW BIND M3X4		67	X56655021	RETAINING RING: CSTW-3.5	
25	XE6639001	SCREW3X8		68	XE1478101	SPRING	
26	018402532	BOLT SOCKET M4X25		69	XC3534121	UPPER SHAFT BEARING PRESSER	
27	XC2537021	SPRING		70	XC3496021	GIZA TITE 5X16	
28	XC9924021	RETAINING RING 10		71	XE7560101	INNER ROTARY HOOK ASSY	
29	XC3941021	VERTICAL ADJUSTER SCREW ASSY		72	XG6924001	PILE	
30	XC2546121	M5 NUT		73	X52800120	BOBBIN	
31	XE1940001	SPRING		74	XC3805021	GIZA TITE 5X16	
32	XC8794021	VERTICAL FEED SHAFT		75	XZ5053001	WASHER EX TOOTH 5	
33	XC2551020	VERTICAL LEVER		76	XE8564001	UNIT WASHER	
34	025040336	WASHER PLAIN L 4		77	060300812	SCREW BIND M3X8	
35	XC8795121	DROP KNOB		78	XG3788001	WASHER PLAIN M 3	
36	XC2550021	SPRING		79	XG1797001	FEED DOG SUPPLY ASSY	
37	048030343	RETAINING RING E3					
38	XD0115021	OUTER ROTARY HOOK ASSY (SQ9100)		80	XG3973001	FEED MODULE	
	XE9837001	OUTER ROTARY HOOK ASSY (Style100Q)					
39	XD1943021	OUTER ROTARY HOOK SHAFT					
40	137805022	SPACER					
41	XG8725001	WASHER 6					
42	XF8039001	SHAFT SUPPORTER					

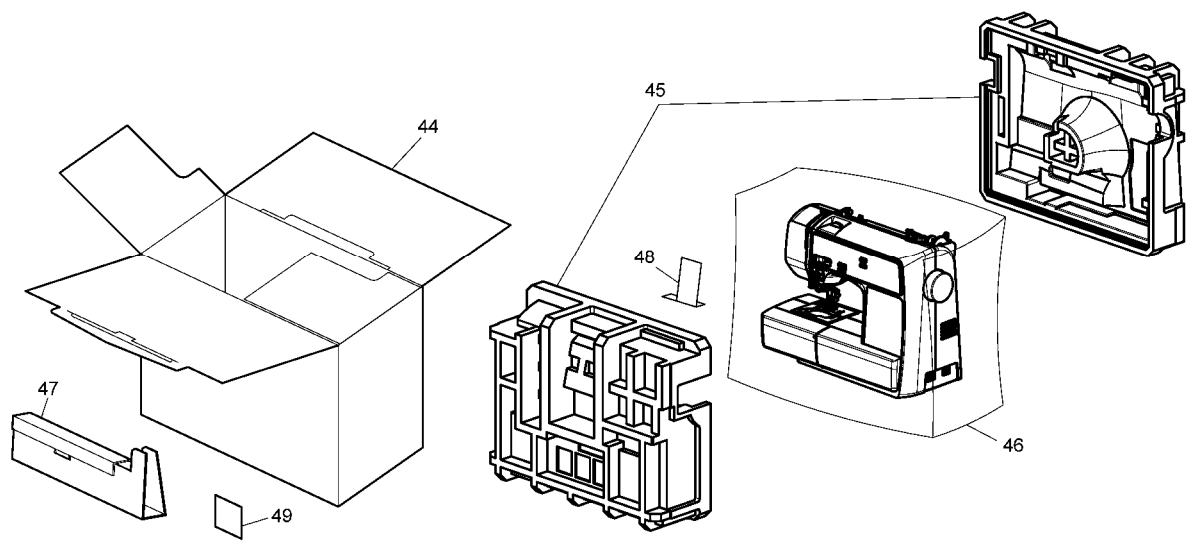
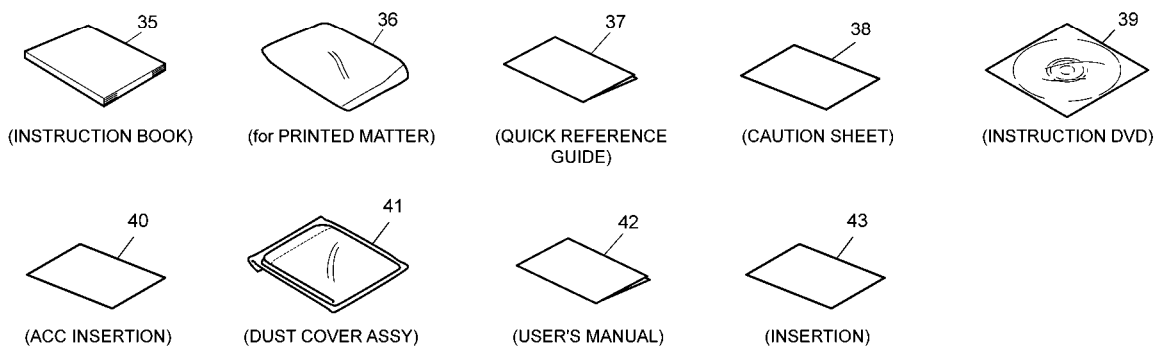
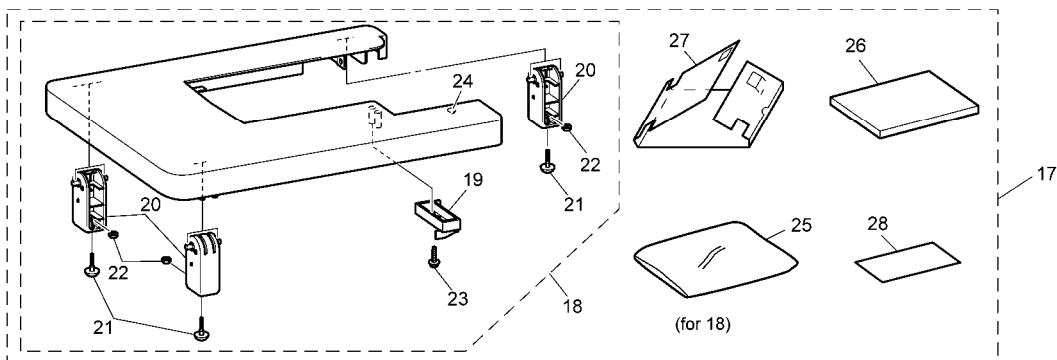
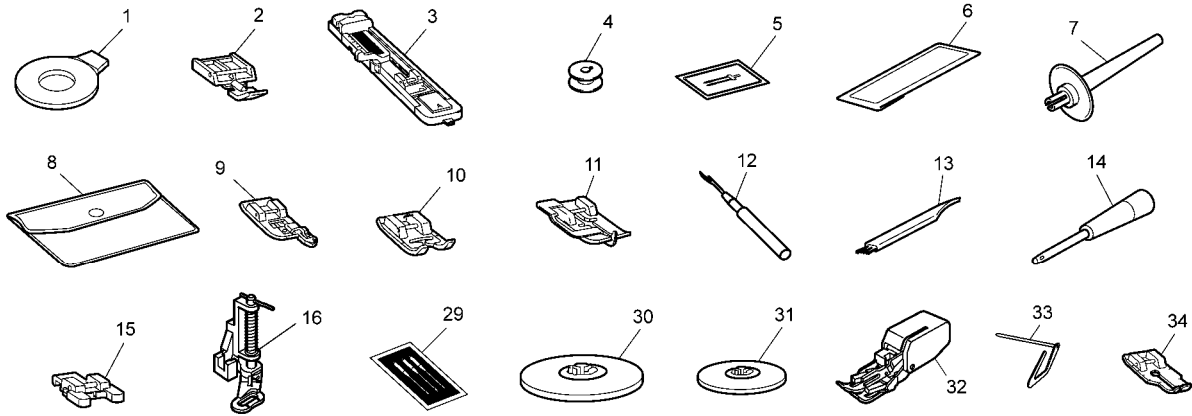
(4) BOBBIN WINDING MECHANISM / NEEDLE THREADING MECHANISM



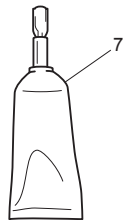
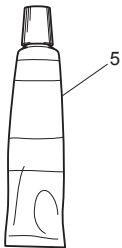
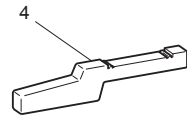
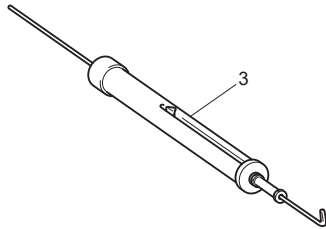
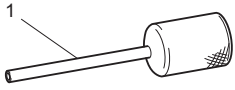
(5) ELECTRIC PARTS / MAIN MOTOR UNIT



(6) ACCESSORY PARTS / USER MANUAL / OTHER PARTS / PACKAGE



SPARE PARTS



brother